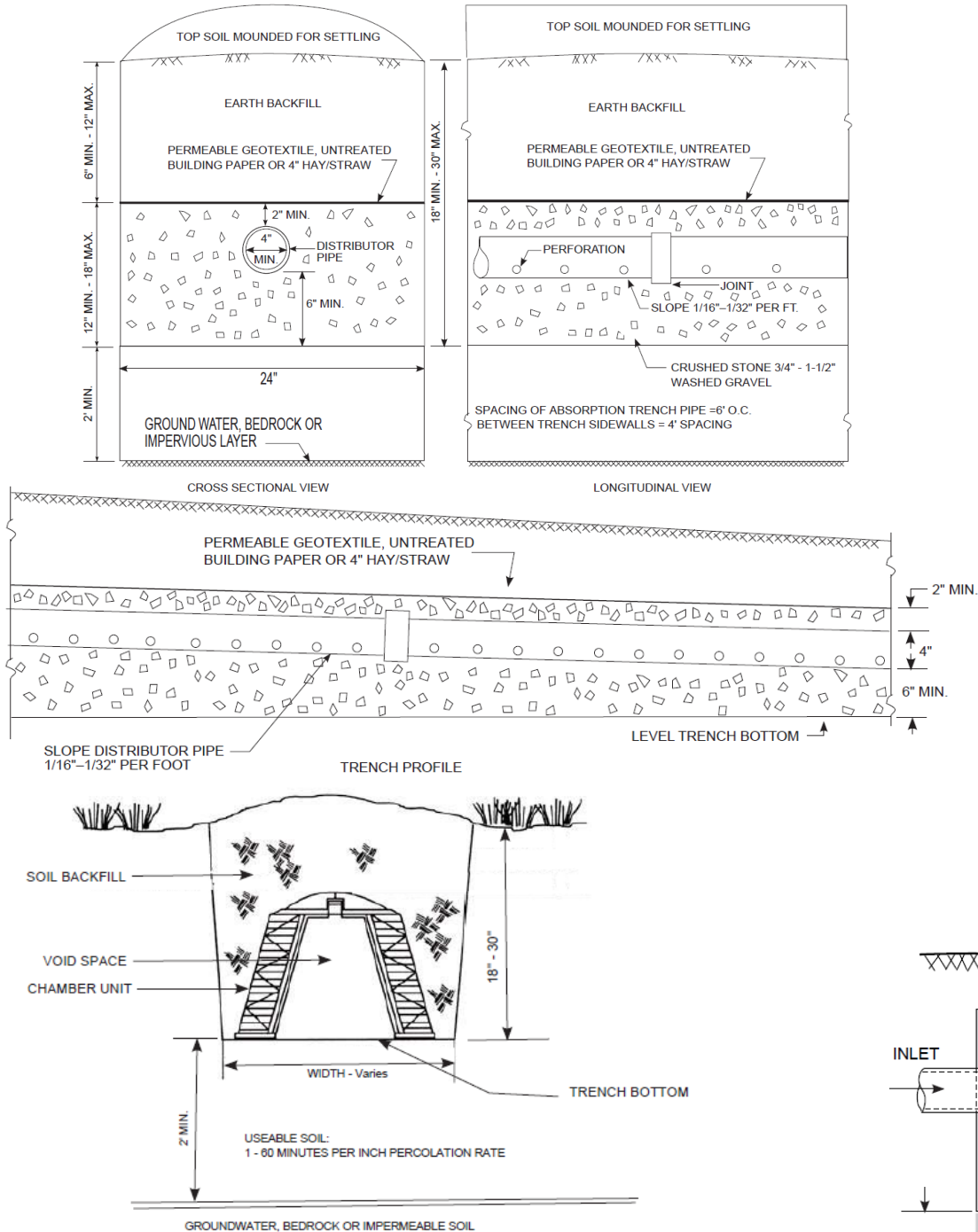


REQUIRED SPECIFICATIONS



Piping

- Pipe between home and tank to be Schedule 40 PVC or stronger and have a min slope of 1/4"/ft
- Pipe between septic tank and distribution box to be Schedule 40 PVC or stronger and have a min slope of 1/8"/ft.
- Pipe between distribution box and laterals to be Schedule 40 PVC or stronger and have a min slope of 1/32"/ft.

Septic tank

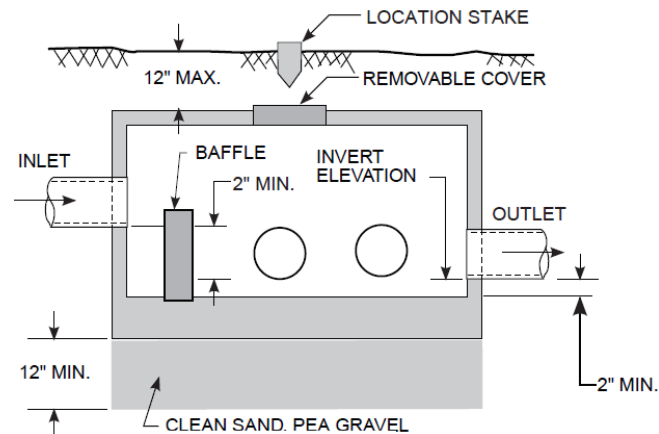
- to be placed on 3" of clean sand or pea gravel, or 5" of washed aggregate (3/4"-1 1/2")
- Do not bury tank >12" below grade unless riser(s) used to access
- 10' min from house

Distribution Box

- To be placed on 12" of clean sand or pea gravel.
- Do not bury d-box >12" below grade unless riser(s) used to access
- Invert elevations of outlet pipes must be equal. Use of speed levelers or flow equalization devices is recommended.
- 20' min from house

Absorption area

- Install laterals parallel to contours with a min. 4' undisturbed soil between them.
- 20' min from house
- 100' from nearest well, waterway, wetland



NOTES:

1. Gravelless absorption system products shall be installed in conformance with manufacturer's instructions
2. The gravelless trench sidewalls shall be separated by a minimum of 4 feet.